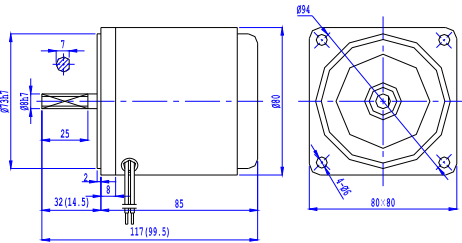


Motor Overall Dimension :



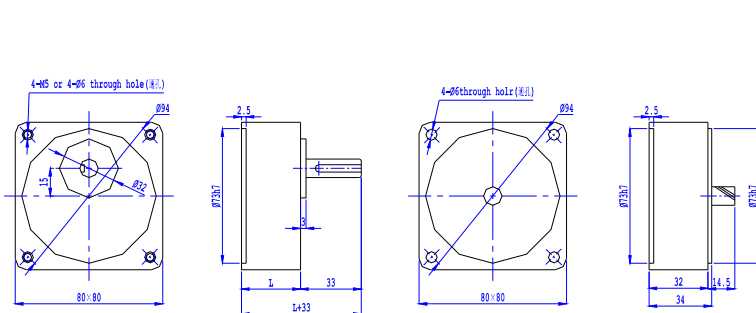
\* The value in the ( ) is the value of small gear shaft motor

### List of Motor Characteristics

| Model of Motor & Gearbox |                       | Output Power (W) | Rated Voltage (V) | Rated Freq'y (Hz) | No. of Poles (P) | Duty Cycle | Rated Load    |             |                       | Starting Torque |          | Capacitor /Voltage (µF/VAC) |         |
|--------------------------|-----------------------|------------------|-------------------|-------------------|------------------|------------|---------------|-------------|-----------------------|-----------------|----------|-----------------------------|---------|
| Motor Only               | Motor with Gear Shaft |                  |                   |                   |                  |            | Speed (r/min) | Current (A) | Torque (N.m) (kgf.cm) | (N.m)           | (kgf.cm) |                             |         |
| 4RK25A-A                 | 4RK25GN-A             | 25               | 1Ph 110           | 50                | 4                | 30Min      | 1350          | 0.48        | 0.18                  | 1.80            | 0.17     | 1.65                        | 8.0/250 |
| 4RK25A-C                 | 4RK25GN-C             | 25               | 1Ph 220           | 50                | 4                | 30Min      | 1350          | 0.28        | 0.18                  | 1.80            | 0.20     | 2.00                        | 2.2/450 |

If the voltage is different, the capacitor's capacity will also be different. A suitable capacitor is required to match the applied voltage. Wrong of the motor or components is the main reason to cause problem. So before order, please specify the correct voltage & select the suitable model(s).

### Overall Dimension of Gearbox



Detailed dimensions of gearbox output spindle

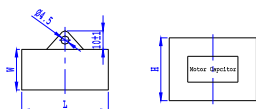
|                      | Gear Ratio   | Length L(mm) | G.W. (Kgs) |
|----------------------|--------------|--------------|------------|
| Gearbox              | 1:3 ~ 1:18   | 32           | 0.43       |
|                      | 1:20 ~ 1:50  | 43.5         | 0.57       |
|                      | 1:60 ~ 1:200 |              | 0.61       |
| Intermediate Gearbox | 4GN-10X      | 32           | 0.43       |
| Motor                |              |              | 1.47       |

### Allowable Torque on Gearbox

Model of Gearbox: 4GN K □

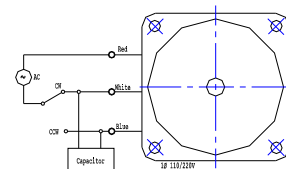
| Freq'y | Gear Ratio       |                  | 3            | 3.6  | 5    | 6    | 7.5  | 9    | 10   | 12.5 | 15   | 18   | 20   | 25   | 30   | 36   | 40   | 50   | 60   | 75   | 90   | 100  | 120  | 150  | 180  | 200  |
|--------|------------------|------------------|--------------|------|------|------|------|------|------|------|------|------|------|------|------|------|------|------|------|------|------|------|------|------|------|------|
|        |                  |                  | Output Speed | RPM  | 500  | 417  | 300  | 250  | 200  | 166  | 150  | 120  | 100  | 83   | 75   | 60   | 50   | 41   | 37   | 30   | 25   | 20   | 16   | 15   | 12   | 10   |
| 50Hz   | Permitted Torque | N.m              | 0.52         | 0.63 | 0.87 | 1.05 | 1.31 | 1.57 | 1.74 | 2.19 | 2.62 | 3.15 | 3.15 | 3.94 | 4.72 | 5.66 | 6.29 | 7.12 | 7.84 | 7.84 | 7.84 | 7.84 | 7.84 | 7.84 | 7.84 | 7.84 |
|        |                  | kgf.cm           | 5.3          | 6.4  | 8.9  | 10.7 | 13.4 | 16.0 | 17.8 | 22.3 | 26.7 | 32.1 | 32.1 | 40.2 | 48.2 | 57.8 | 64.2 | 72.6 | 80.0 | 80.0 | 80.0 | 80.0 | 80.0 | 80.0 | 80.0 | 80.0 |
| 60Hz   | Output Speed     | RPM              | 600          | 500  | 360  | 300  | 240  | 200  | 180  | 144  | 120  | 100  | 90   | 72   | 60   | 50   | 45   | 36   | 30   | 24   | 20   | 18   | 15   | 12   | 10   | 9    |
|        |                  | Permitted Torque | N.m          | 0.43 | 0.51 | 0.72 | 0.85 | 1.07 | 1.28 | 1.43 | 1.78 | 2.15 | 2.57 | 2.58 | 3.22 | 3.86 | 4.64 | 5.16 | 5.82 | 6.99 | 7.84 | 7.84 | 7.84 | 7.84 | 7.84 | 7.84 |
|        |                  | kgf.cm           | 4.4          | 5.2  | 7.3  | 8.7  | 10.9 | 13.1 | 14.6 | 18.2 | 21.9 | 26.2 | 26.3 | 32.9 | 39.4 | 47.3 | 52.6 | 59.4 | 71.3 | 80.0 | 80.0 | 80.0 | 80.0 | 80.0 | 80.0 | 80.0 |

### Capacitor



| Capacity (µF)<br>Tolerance: ±0.5% | Voltage<br>V | L±1 | W±1 | H±1 | Type      |
|-----------------------------------|--------------|-----|-----|-----|-----------|
|                                   |              | mm  | mm  | mm  |           |
| 2.2                               | 450          | 38  | 18  | 28  | With Wire |
| 8.0                               | 250          | 47  | 26  | 38  | Lead Wire |

### Wiring Diagram



Induction Motor