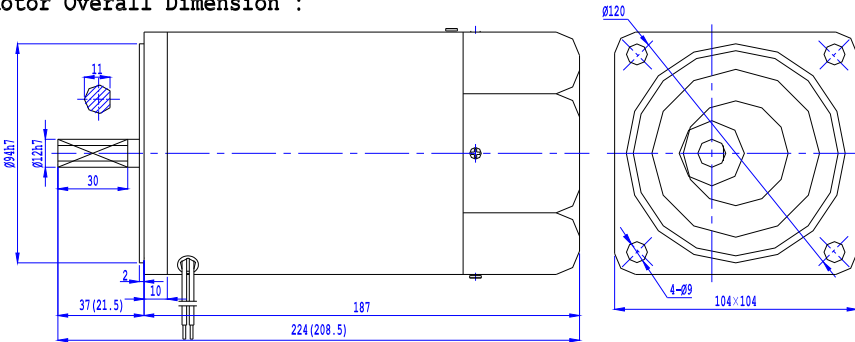


Motor Overall Dimension :



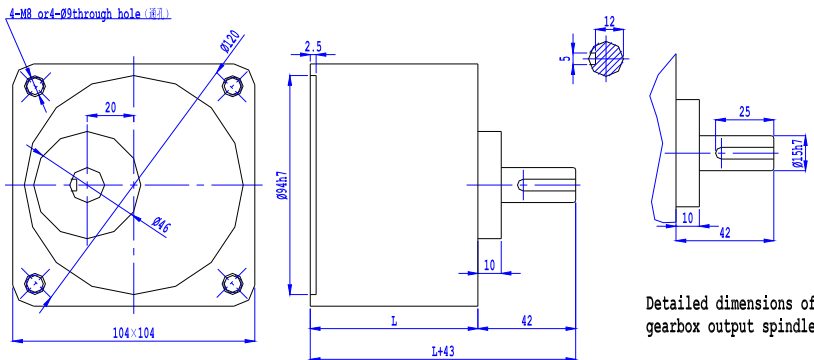
* The value in the () is the value of small gear shaft motor

List of Motor Characteristics

Model of Motor & Gearbox		Output Power (W)	Rated Voltage (V)	Rated Freq'y (Hz)	No. of Poles (P)	Duty Cycle	Speed (r/min)	Allowable Torque				Starting Torque		Capacitor /Voltage (μF/VAC)
Motor Only	Motor with Gear Shaft							1200r/min (N.m)	90r/min (kgf.cm)	90r/min (N.m)	90r/min (kgf.cm)	(N.m)	(kgf.cm)	
6IK140RA-AF	6IK140RGU-AF	140	1Ph 110	50	4	连续 CONT.	90~1350	0.85	8.50	0.45	4.50	0.62	6.20	30.0/250
6IK140RA-CF	6IK140RGU-CF	140	1Ph 220	50	4	连续 CONT.	90~1350	0.85	8.50	0.45	4.50	0.68	6.80	10.0/450

If the voltage is different, the capacitor's capacity will also be different. A suitable capacitor is required to match the applied voltage. Wrong of the motor or components is the main reason to cause problem. So before order, please specify the correct voltage & select the suitable model(s).

Overall Dimension of Gearbox



	Gear Ratio	Length L(mm)	G.W.(Kgs)
Gearbox	1:3 ~ 1:9	72	1.87
	1:10 ~ 1:18		2.10
	1:20 ~ 1:200		2.75
Motor			5.05

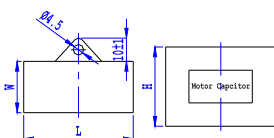
Detailed dimensions of gearbox output spindle

Allowable Torque on Gearbox

Model of Gearbox: 6GU K □

Freq'y	Gear Ratio	3	3.6	5	6	7.5	9	10	12.5	15	18	20	25	30	36	40	50	60	75	90	100	120	150	180	200	
50Hz	Output Speed	RPM	500	417	300	250	200	166	150	120	100	83	75	60	50	41	37	30	25	20	16	15	12	10	8	7.5
	Permitted Torque	N.m	2.36	2.83	2.93	4.71	5.89	7.07	7.07	8.85	10.6	12.7	12.7	16.0	19.2	23.0	25.6	32.0	38.4	39.2	39.2	39.2	39.2	39.2	39.2	39.2
		kgf.cm	24.1	25.6	40.1	48.1	60.1	72.1	72.1	90.3	108	130	130	163	196	235	261	327	297	400	400	400	400	400	400	400
60Hz	Output Speed	RPM	600	500	360	300	240	200	180	144	120	100	90	72	60	50	45	36	30	24	20	18	15	12	10	9
	Permitted Torque	N.m	2.03	2.44	3.39	4.06	5.08	6.09	6.09	7.60	9.15	11.0	11.0	13.8	16.6	19.9	22.1	27.6	33.1	39.2	39.2	39.2	39.2	39.2	39.2	39.2
		kgf.cm	20.7	24.9	34.6	41.2	51.8	62.1	62.1	77.6	93.4	112	112	141	169	203	226	282	338	400	400	400	400	400	400	400

Capacitor



Capacity (μF)	Voltage	L11	W11	H11	Type
Tolerance: ±0.5%	V	mm	mm	mm	
10.0	450	47	26	38	With
30.0	250	68	32	56	Lead Wire