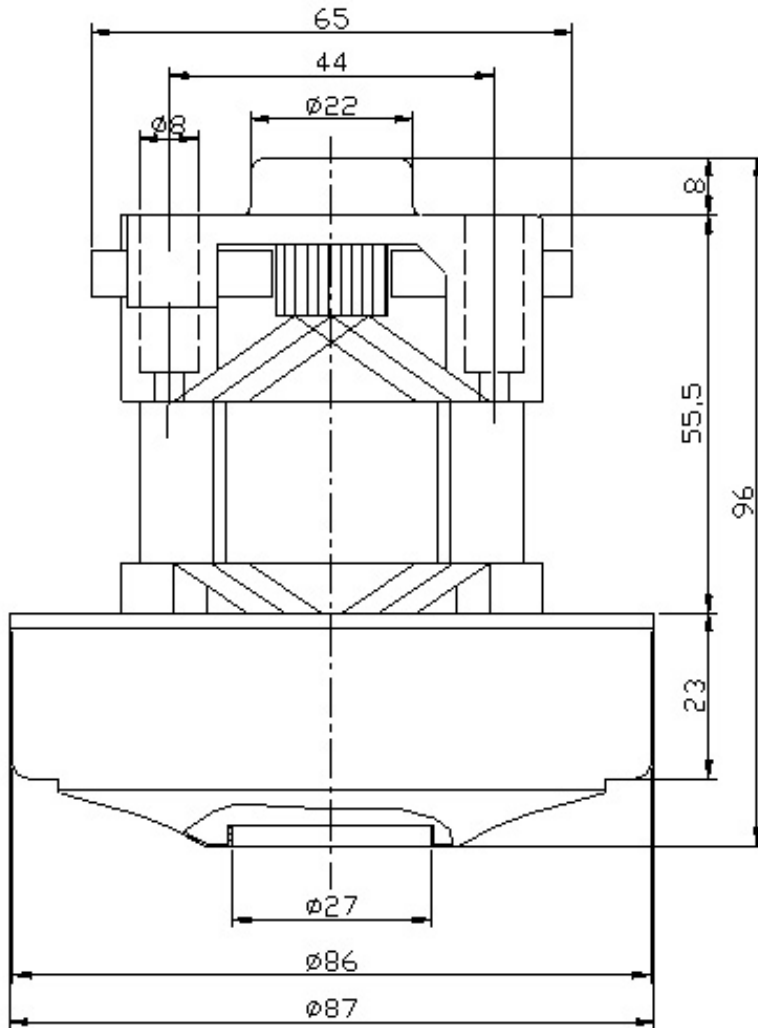


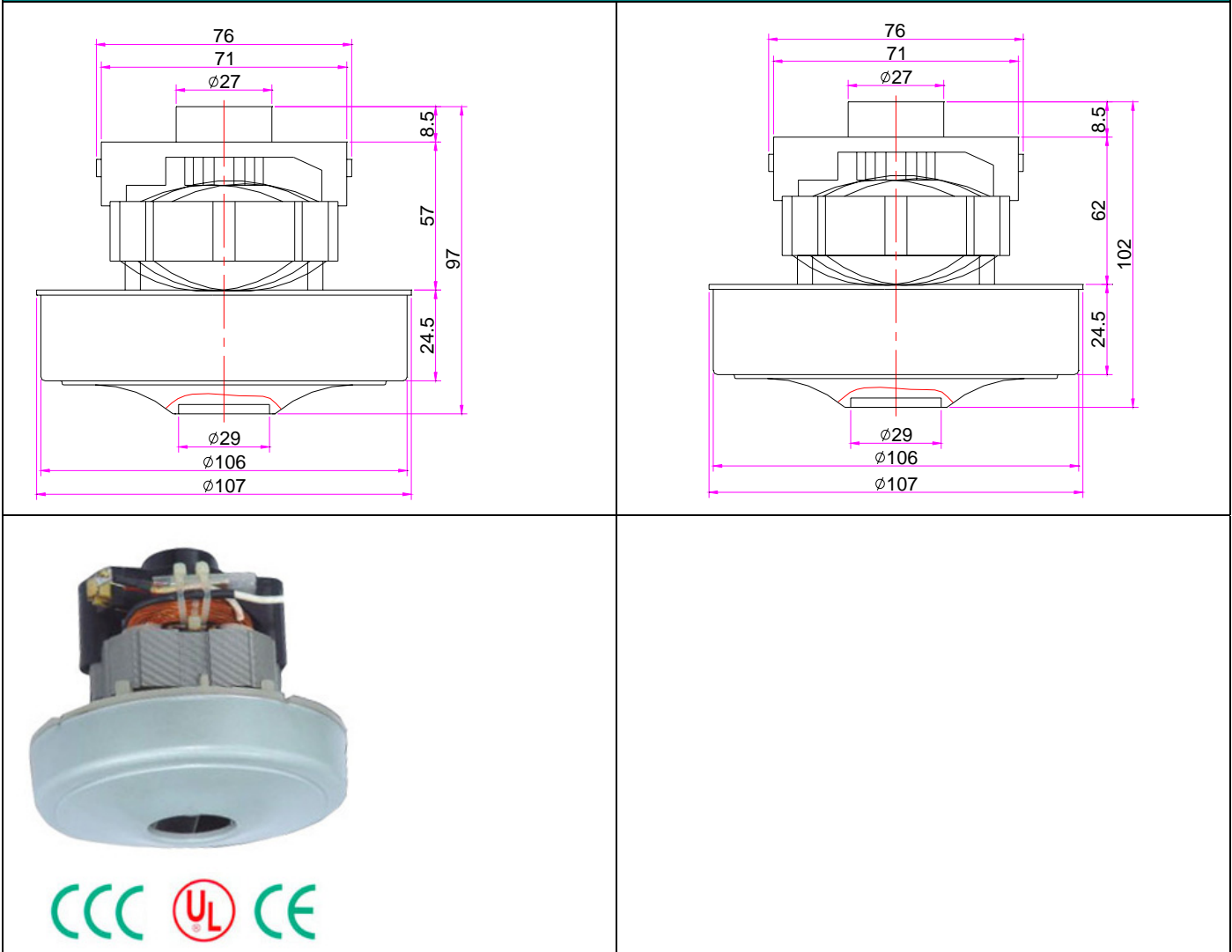
NUV01 With Flat Intake



Typical Specifications

Model	Rated Voltage (VAC)	Rated Frequency (Hz)	Rated Input Power (±10%W)	Max. Vacuum (Kpa)	Max. Air Flow (m ³ /min)	Temp. Rising (K)	Noise (dB)	Spark	Insulation Degree	Max. Suction Eff. (%)
NUV01-200	110-240	50/60	200	12	1.2	<75	92	2	B	35
NUV01-400	110-240	50/60	400	14	1.6	<75	92	2	B	32

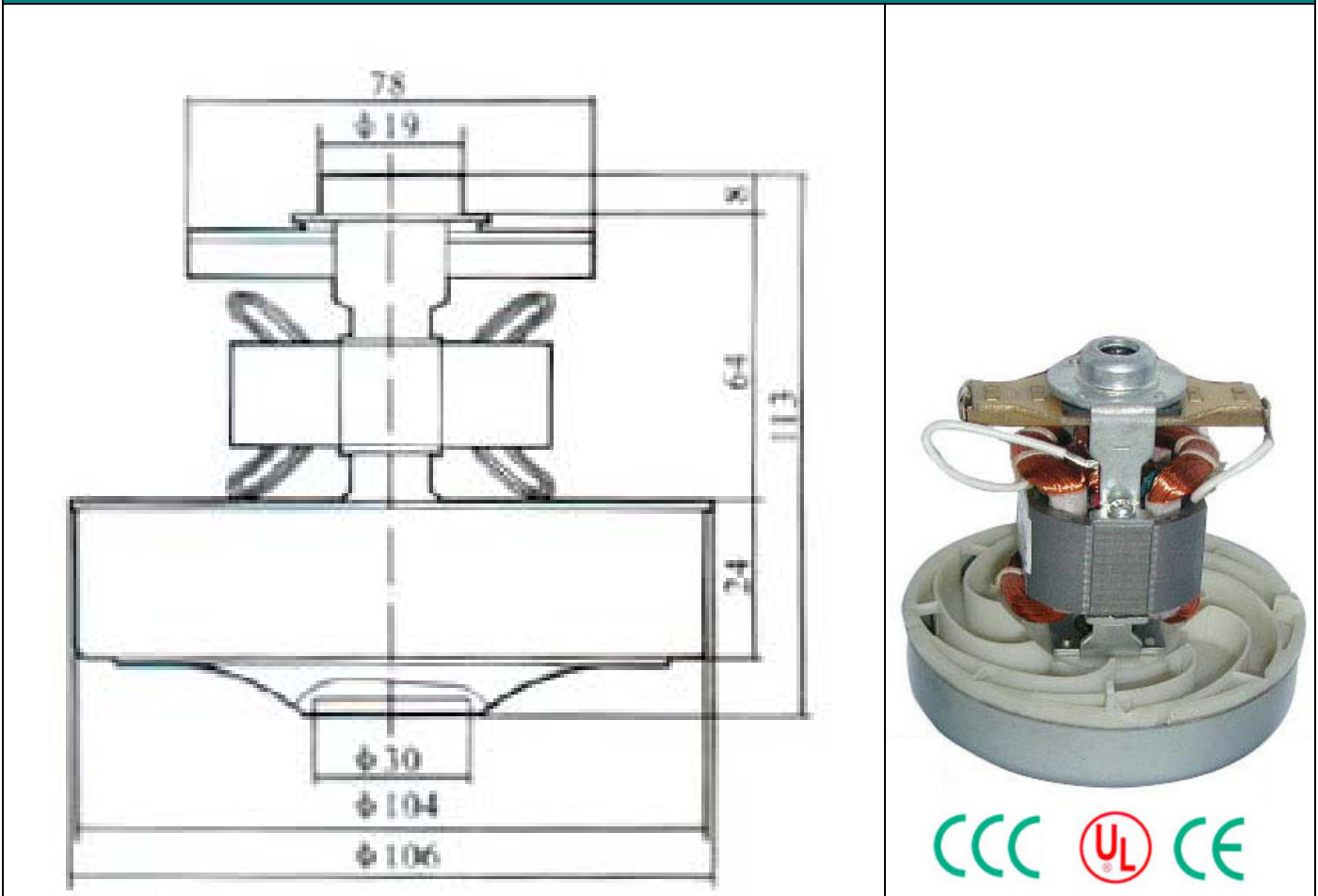
NUV02 With Flat Intake



Typical Specifications

Model	Rated Voltage	Rated Frequency	Rated Input Power	Max. Vacuum	Max. Air Flow	Temp. Rising	Noise	Spark	Insulation Degree	Max. Suction Eff.
	(VAC)	(Hz)	(W)	(Kpa)	(m ³ /min)	(K)	(dB)			(%)
NUV02-400	110-240	50/60	400	16.0	1.6	<75	90	2	B	36.5
NUV02-600	110-240	50/60	600	17.5	1.8	<75	92	2	B	36.5
NUV02-800	110-240	50/60	800	18.5	2.4	<75	92	2	B	36.5

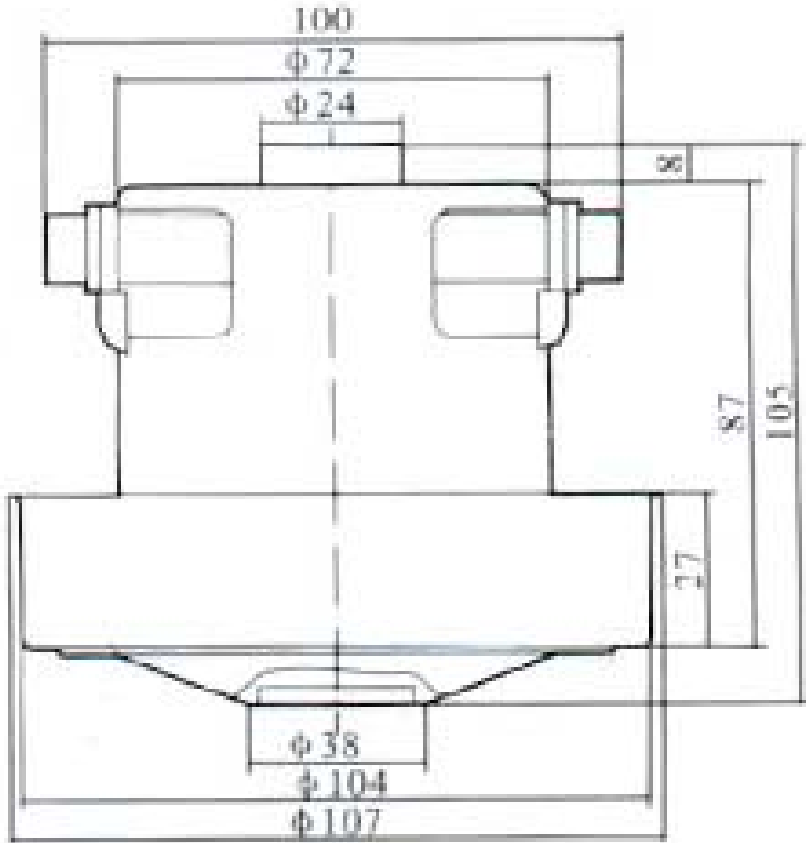
NUV03 With Flat Intake



Typical Specifications

Model	Rated Voltage (VAC)	Rated Frequency (Hz)	Rated Input Power (W)	Max. Vacuum (Kpa)	Max. Air Flow (m ³ /min)	Temp. Rising (K)	Noise (dB)	Spark	Insulation Degree	Max. Suction Eff. (%)
NUV03-300	110-240	50/60	300	14	1.5	<75	92	2	B	28
NUV03-400	110-240	50/60	400	15	1.6	<75	92	2	B	28

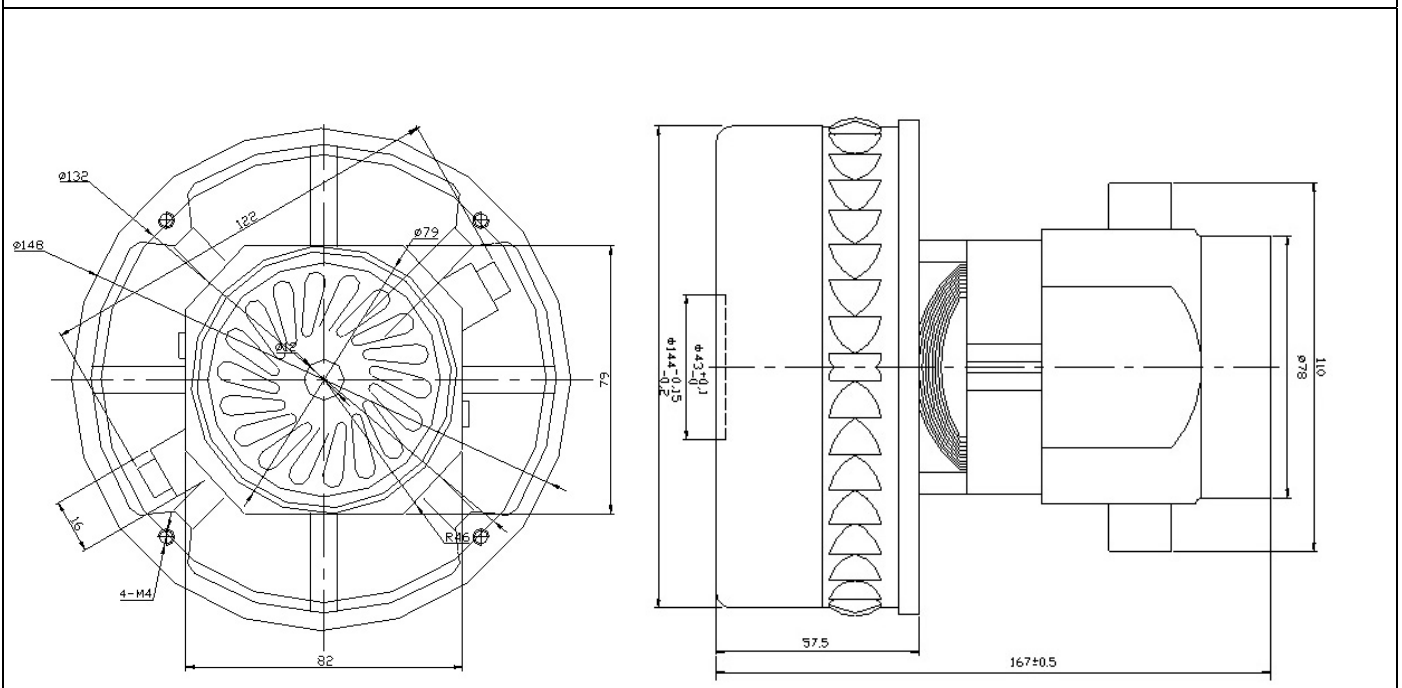
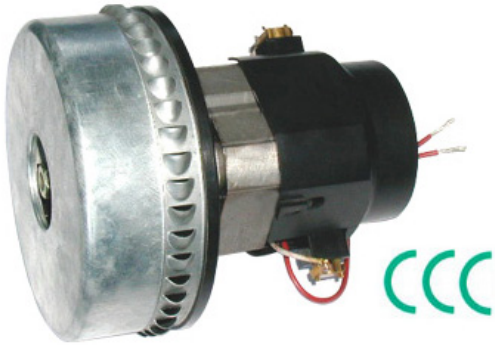
NUV04 With Flat Intake



Typical Specifications

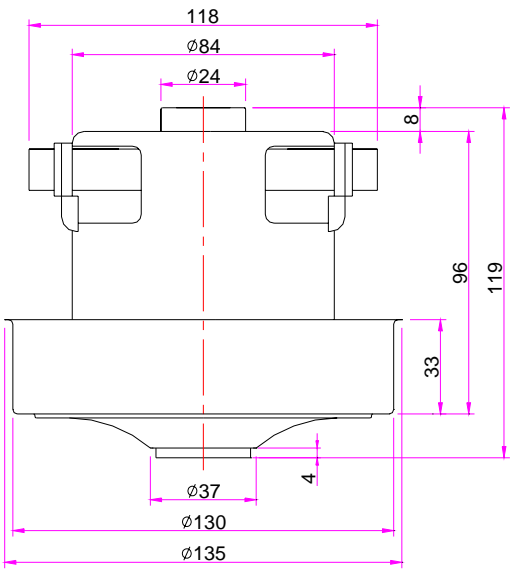
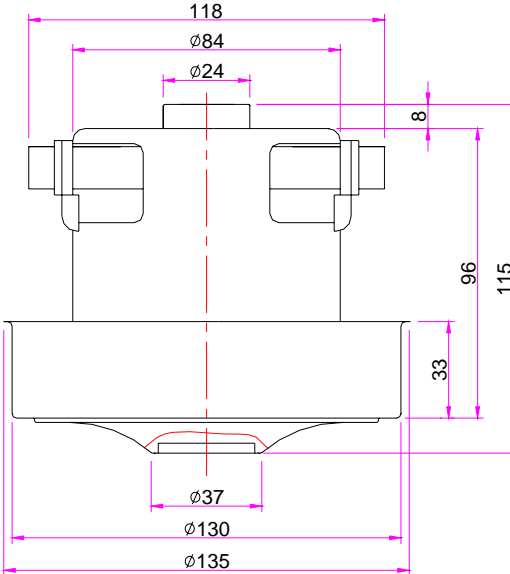




Model	Rated Voltage (VAC)	Rated Frequency (Hz)	Rated Input Power (W)	Max. Vacuum (Kpa)	Max. Air Flow (m ³ /min)	Temp. Rising (K)	Noise (dB)	Spark	Insulation Degree	Max. Suction Eff. (%)
NUV04-800	110-240	50/60	800	18.5	1.8	<75	92	2	B	36.5
NUV04-100	110-240	50/60	1000	20.0	2.4	<75	92	2	B	36.5

NUV05 With Flat Intake



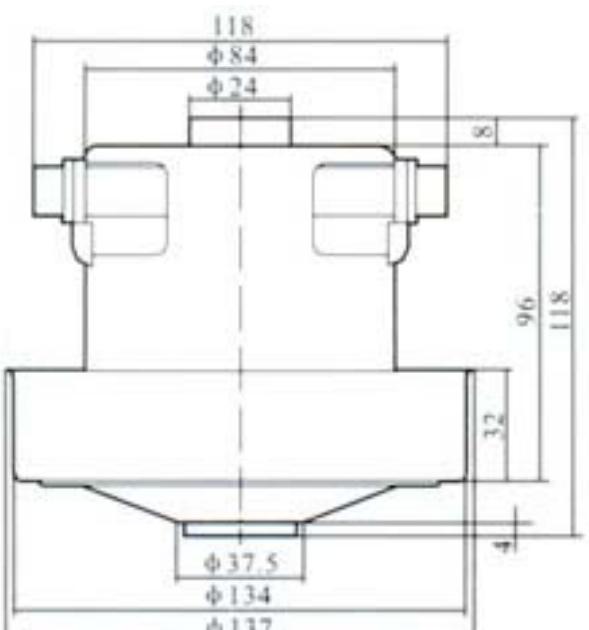
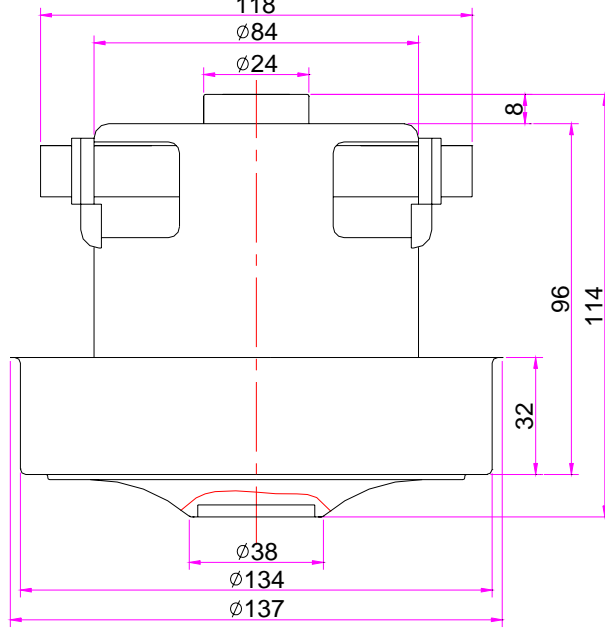




Typical Specifications

Model	Rated Voltage	Rated Frequency	Rated Input Power	Max. Vacuum	Max. Air Flow	Temp. Rising	Noise	Spark	Insulation Degree	Max. Suction Eff.
	(VAC)	(Hz)	(W)	(Kpa)	(m ³ /min)	(K)	(dB)			(%)
NUV05-1000	110-240	50/60	1000	21	3.0	<85	96	2	B	32
NUV05-1200	110-240	50/60	1200	22	3.1	<85	98	2	B	33

NUV06 With Extruding Intake	NUV06 With Flat Intake
	
 	 

Typical Specifications

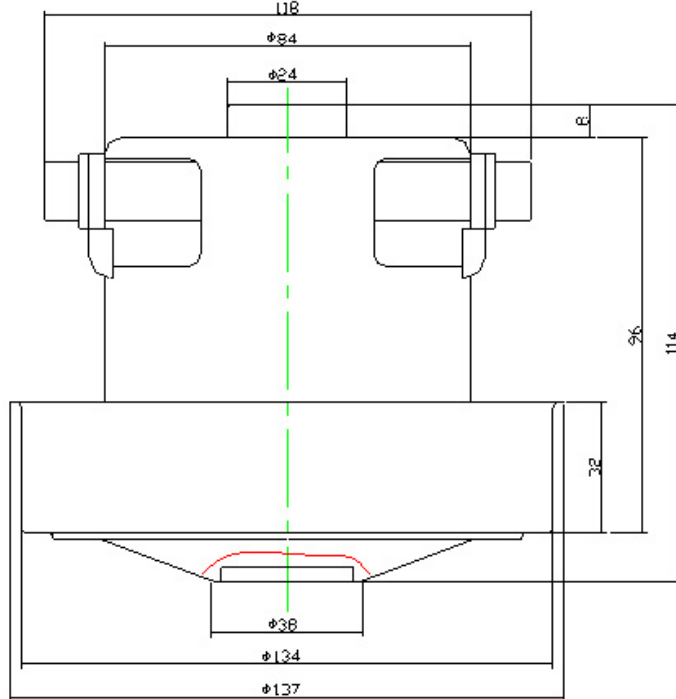
Model	Rated Voltage	Rated Frequency	Rated Input Power	Max. Vacuum	Max. Air Flow	Temp. Rising	Noise	Spark	Insulation Degree	Max. Suction Eff. (%)
	(VAC)	(Hz)	(W)	(Kpa)	(m ³ /min)	(K)	(dB)			
NUV06-1000	110-240	50/60	1000	23	3.0	<85	96	≤2	B	35
NUV06-1200	110-240	50/60	1200	24	3.2	<85	98	≤2	B	35

NUV07 With Extruding Intake	NUV07 With Flat Intake
	
 	 

Typical Specifications

Model	Rated Voltage (VAC)	Rated Frequency (Hz)	Rated Input Power (W)	Max. Vacuum (Kpa)	Max. Air Flow (m ³ /min)	Temp. Rising (K)	Noise (dB)	Spark	Insulation Degree	Max. Suction Eff. (%)
NUV07-1300	110-240	50/60	1300	22	3.1	<85	98	2	B	33
NUV07-1400	110-240	50/60	1400	23	3.2	<85	100	2	B	33

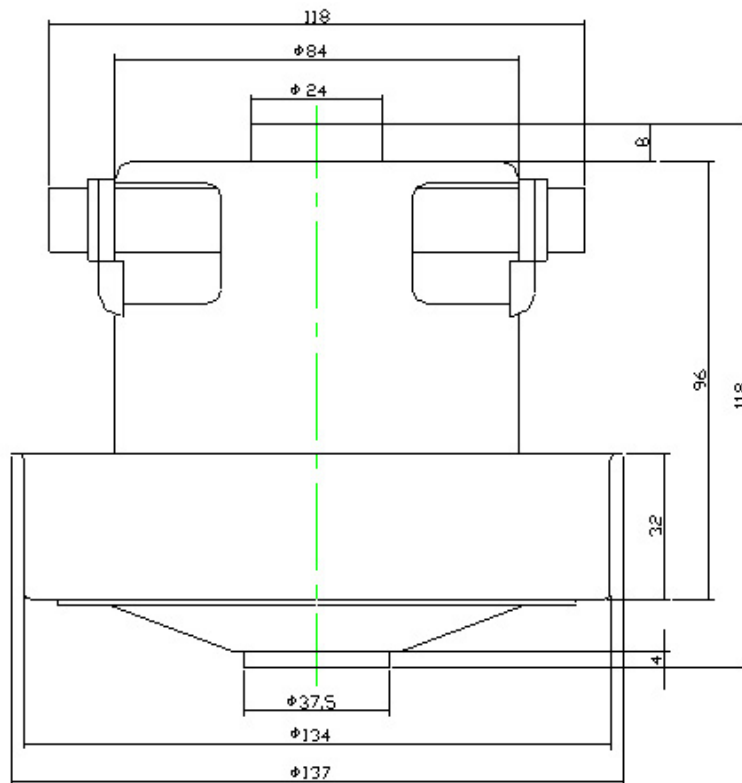
NUV08 With Flat Intake



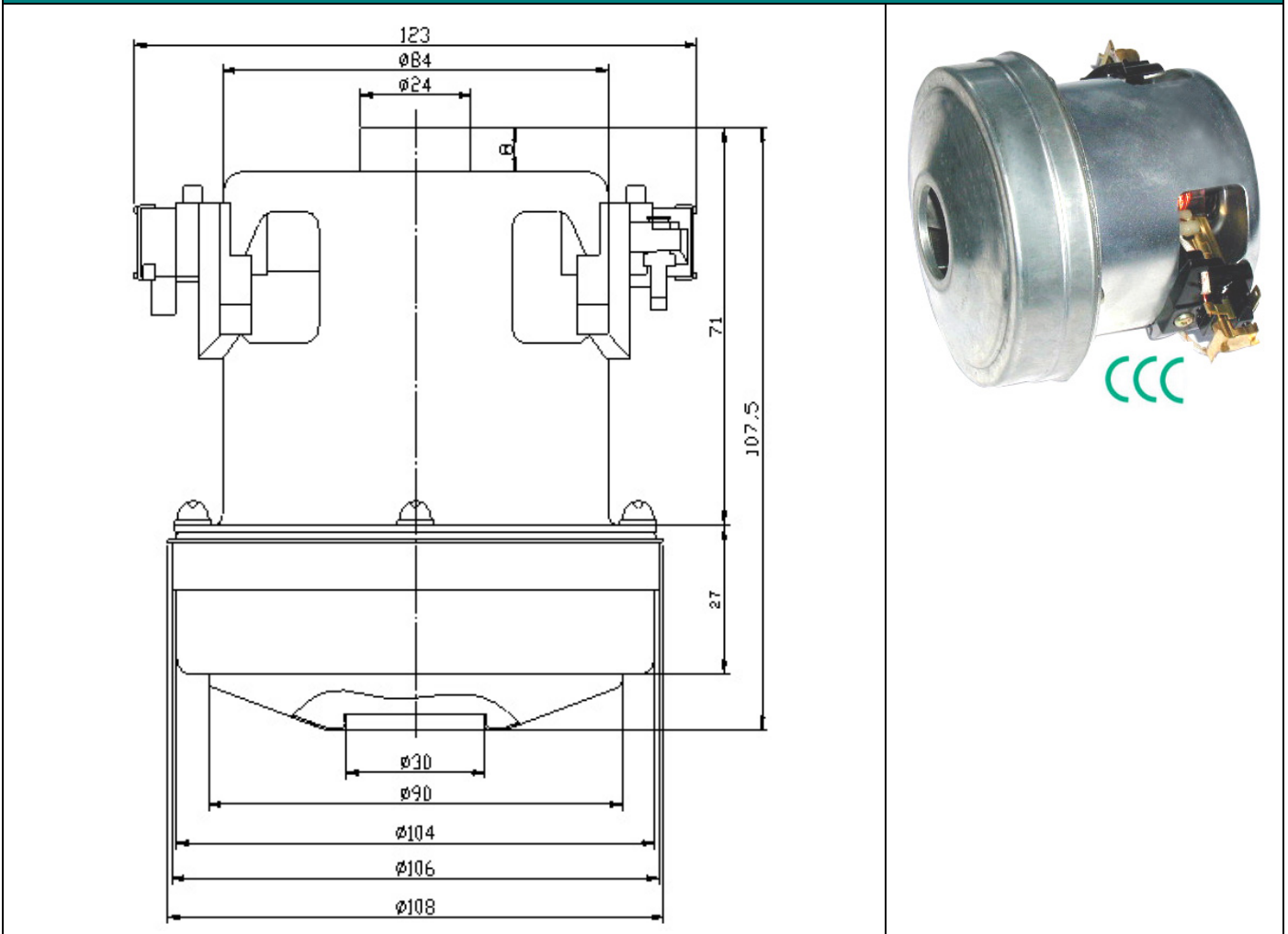
Typical Specifications

Model	Rated Voltage	Rated Frequency	Rated Input Power	Max. Vacuum	Max. Air Flow	Temp. Rising	Noise	Spark	Insulation Degree	Max. Suction Eff.
	(VAC)	(Hz)	(W)	(Kpa)	(m ³ /min)	(K)	(dB)			(%)
NUV08-1500	110-240	50/60	1500	24	3.25	<85	101	2	B	35
NUV08-1600	110-240	50/60	1600	25	3.3	<85	101	2	B	35

NUV08 With Extruding Intake



NUV09 With Flat Intake



Typical Specifications

Model	Rated Voltage	Rated Frequency	Rated Input Power	Max. Vacuum	Max. Air Flow	Temp. Rising	Noise	Spark	Insulation Degree	Max. Suction Eff.
	(VAC)	(Hz)	(W)	(Kpa)	(m ³ /min)	(K)	(dB)			(%)
NUV09-10	110-240	50/60	1000	21	3	<85	96	2	B	32
NUV09-12	110-240	50/60	1200	22	3.1	<85	98	2	B	33