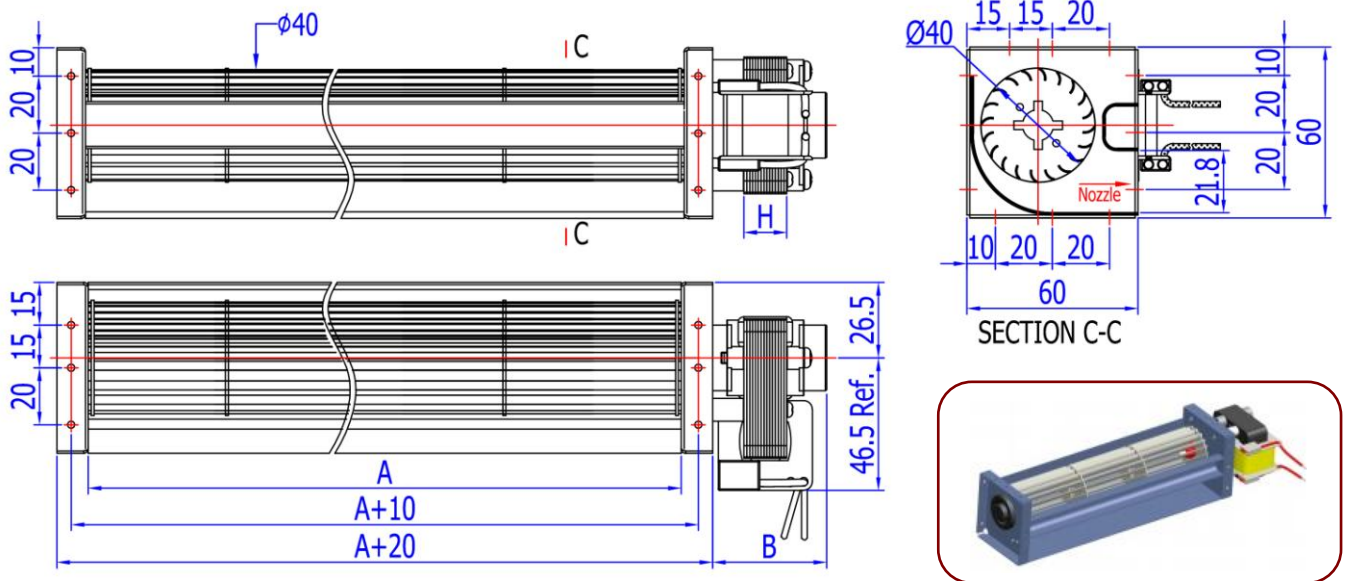


**Brief Introduction :**

Wheel:	Aluminum Alloy	Insulation System:	Class E, B, F or H As Request
Housing:	Galvanized Sheet or E-Coating	Operating Temperature:	-10°C To +50°C
Motor Type:	Shaded Pole Motors NSP48 Series (can be others)	Overheating Protection:	T.P. or Z.P.
Bearing:	Ball Bearing or Bronze Sleeve	Electrical Connection:	Lead Wire
Power Supply:	100 – 240VAC as request	RoHS Compliance:	As Needed

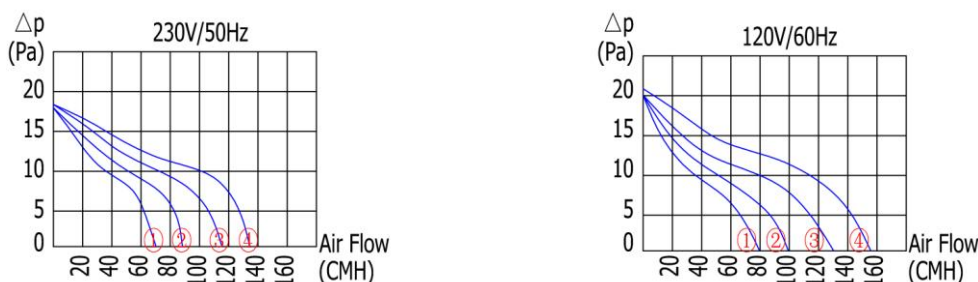
**Outline Dimensions (All dimensions in millimeters) :**



**Technical Performances (based on free air conditions) :**

No.	Specifications Model	Power Supply		Input Power (Watts)	Output Speed (rpm)	Max. Airflow		Max. Static Pressure		Noise Level [dB(A)]	Dimensions		
		Volts (VAC)	Freq'y (Hz)			Metric (m <sup>3</sup> /h)	American (CFM)	Metric (Pa)	American (in H <sub>2</sub> O)		A (mm)	B (mm)	H (mm)
①	NAF40200-SP4820	230	50	8	2200	70	41	18	0.0724	38	200	40	20
		120	60	9	2500	80	47	20	0.0804	40			
②	NAF40250-SP4820	230	50	11	2200	88	52	18	0.0724	38	250	40	20
		120	60	12	2500	100	59	20	0.0804	40			
③	NAF40300-SP4825	230	50	13	2200	115	68	19	0.0764	39	300	45	25
		120	60	15	2500	130	77	20	0.0804	41			
④	NAF40350-SP4830	230	50	15	2200	135	80	19	0.0764	40	350	50	30
		120	60	17	2500	155	92	21	0.0844	42			

**Characteristics Curves:**



Remarks: This catalog listed just some typical models. The performances as above are just for reference only. We can adjust our motor specifications according to what the customer needs. OEM & ODM are both welcome.