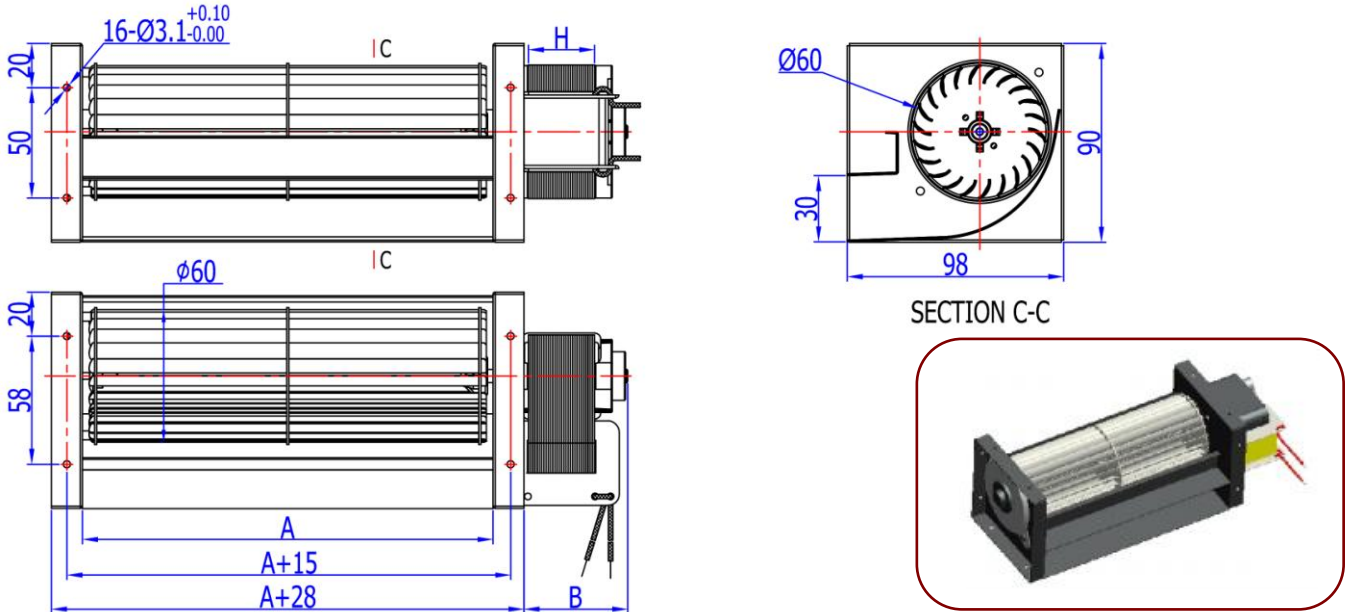


Brief Introduction :

Wheel:	Aluminum Alloy	Insulation System:	Class E, B, F or H As Request
Housing:	Galvanized Sheet or E-Coating	Operating Temperature:	-10°C To +50°C
Motor Type:	Shaded Pole Motors NSP61 Series (can be others)	Overheating Protection:	T.P. or Z.P.
Bearing:	Ball Bearing or Bronze Sleeve	Electrical Connection:	Flat-pin Terminal or Lead Wire
Power Supply:	100 – 240VAC as request	RoHS Compliance:	As Needed

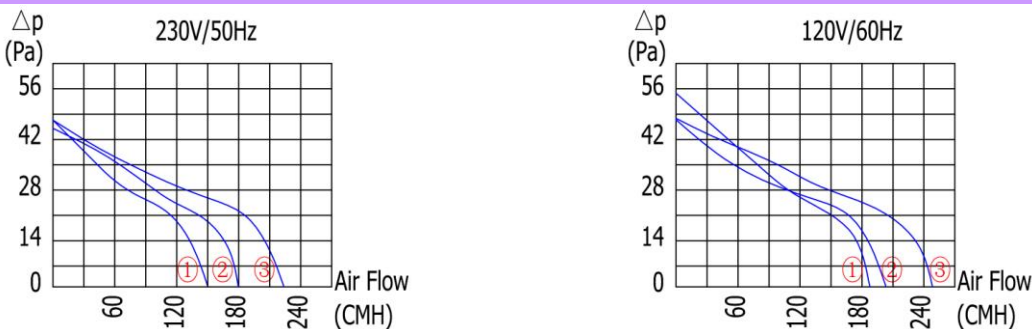
Outline Dimensions (All dimensions in millimeters) :



Technical Performances (based on free air conditions) :

No.	Specifications Model	Power Supply		Input Power (Watts)	Output Speed (rpm)	Max. Airflow		Max. Static Pressure		Noise Level [dB(A)]	Dimensions		
		Volts (VAC)	Freq'y (Hz)			Metric (m ³ /h)	American (CFM)	Metric (Pa)	American (in H ₂ O)		A (mm)	B (mm)	H (mm)
①	NAF60180-SP6130	230	50	28	2000	150	88	47	0.1889	45	184	47	30
		120	60	32	2500	185	110	55	0.2211				
②	NAF60240-SP6130	230	50	33	1800	180	106	45	0.1809	43	245	47	30
		120	60	38	2000	200	118	47	0.1889				
③	NAF60300-SP6140	230	50	40	1800	225	121	47	0.1889	42	306	57	40
		120	60	45	2000	250	148	48	0.1930				

Characteristics Curves:



Remarks: This catalog listed just some typical models. The performances as above are just for reference only. We can adjust our motor specifications according to what the customer needs. OEM & ODM are both welcome.