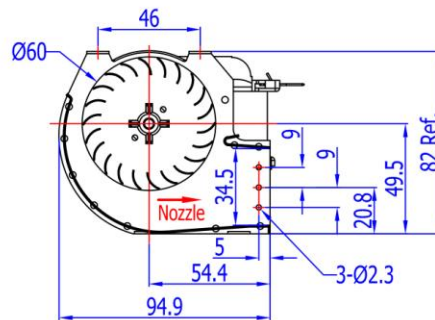
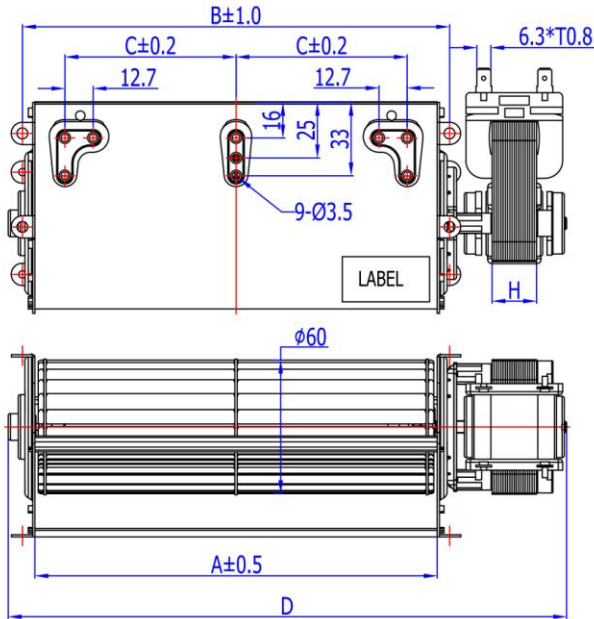


**Brief Introduction :**

Wheel:	Aluminum Alloy	Insulation System:	Class E, B, F or H as Request
Housing:	Galvanized Sheet or E-Coating	Operating Temperature:	-10°C To +50°C
Motor Type:	Shaded Pole Motors NSP61 Series (can be others)	Overheating Protection:	T.P. or Z.P.
Bearing:	Ball Bearing or Bronze Sleeve	Electrical Connection:	Flat-pin Terminal or Lead Wire
Power Supply:	100 – 240VAC as Request	RoHS Compliance:	As needed

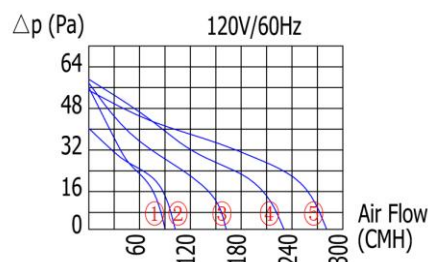
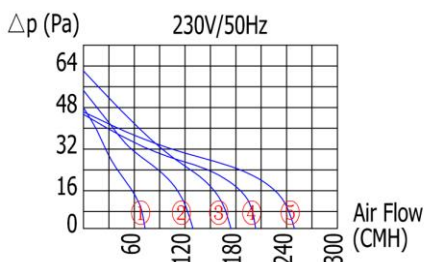
**Outline Dimensions (All dimensions in millimeters) :**



**Technical Performances (based on free air conditions) :**

No.	Specs Model	Power Supply		Input Power (Watts)	Output Speed (rpm)	Max. Airflow		Max. Static Pressure		Noise Level [dB(A)]	Dimensions (mm)				
		Volts (VAC)	Freq'y (Hz)			Metric (m <sup>3</sup> /h)	American (CFM)	Metric (Pa)	American (in H <sub>2</sub> O)		A	B	C	D	H
①	NAR60120	230	50	17	1600	70	41	48	0.1930	45	121	132	46.5	188	20
	-SP6120	120	60	20	2000	90	53	56	0.2251	49					
②	NAR60180	230	50	23	1400	130	77	55	0.2211	45	181	192	77	253	15
	-SP6115	120	60	18	1200	100	60	40	0.1608	40					
③	NAR60240	230	50	33	1700	170	100	63	0.2533	48	242	253	106	324	25
	-SP6125	120	60	30	1600	160	95	57	0.2291	47					
④	NAR60300	230	50	28	1400	200	120	45	0.1809	43	303	314	136	380	30
	-SP6130	120	60	45	1600	230	136	60	0.2412	47					
⑤	NAR60360	230	50	45	1400	250	148	46	0.1849	44	366	377	166	453	35
	-SP6135	120	60	47	1600	290	171	55	0.2211	48					

**Characteristics Curves:**



**Remarks:** This catalog listed just some typical models. The performances as above are just for reference only. We can adjust our motor specifications according to what the customer needs. OEM & ODM are both welcome.