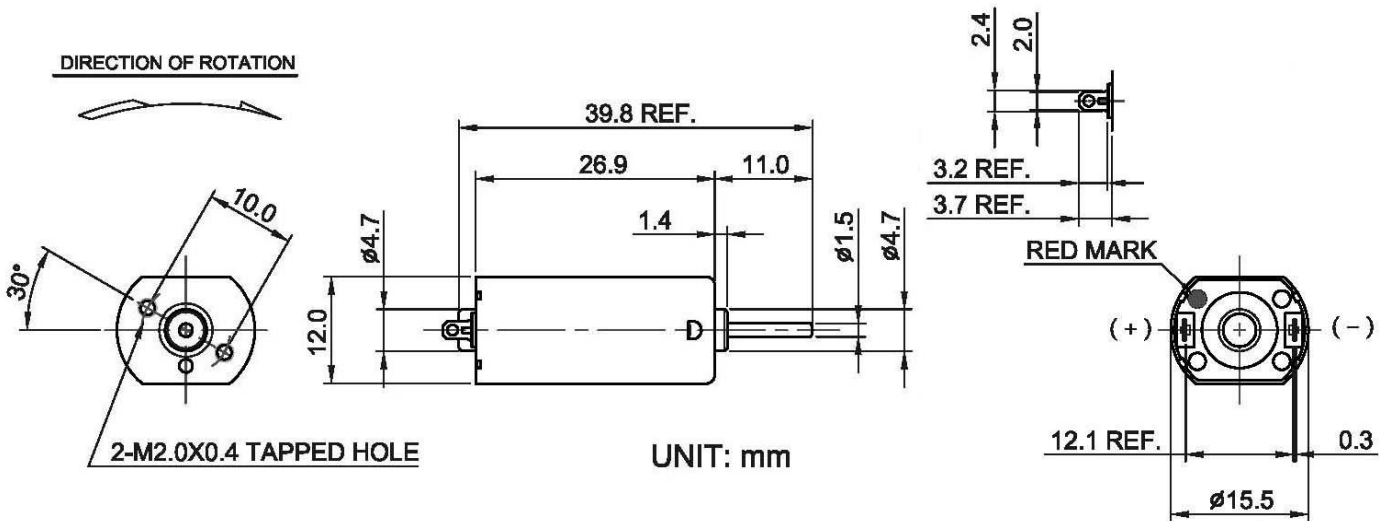




Typical Application:

1. Audio and Visual Equipments
2. Car Cassette Tape Recorder

Weight: 18g (Approx.)



ELECTRICAL SPECIFICATION CHART: (The following specifications can be changed as your requirement)

MODEL	VOLTAGE		NO LOAD		AT MAXIMUM EFFICIENCY				STALL	
	Operating Range	Nominal	Speed	Current	Speed	Current	Torque	Output	Torque	Current
			rpm	A	rpm	A	g.cm	W	g.cm	A
BG050Y-11190	2.6-7.0V	6V CONSTANT	7400	0.042	5100	0.16	12	0.63	40	0.6
BG050Y-11170	1.5-9.0V	7V CONSTANT	10300	0.046	8500	0.17	7	0.61	46	0.82
BG050Y-09250	5.0-11.5V	8V CONSTANT	7900	0.027	6300	0.11	7	0.45	35	0.43
BG050Y-13130	2.0-4.0V	2V CONSTANT	3700	0.038	3000	0.11	3	0.092	17	0.4
		4V CONSTANT	7600	0.05	6300	0.2	6	0.39	35	0.82
BG050Y-13125	3.0-10.0V	6V CONSTANT	11500	90	9100	0.34	11	1.03	55	1.3

Shenzhen Nostop Electric Co., Ltd

Building C#, Gangzhihong Science & Technology Industrial Park, Qinglong Road, Longhua Town,
Shenzhen City, Guangdong Province, 518107 P.R.China

TEL: +86.755. 2983 4766, 2815 9775, 2815 9776 FAX: +86.755. 2967 4299

E-mail: stony@nostop.cn

URL: <http://www.nostopmotor.com>, <http://www.nostop.cn>