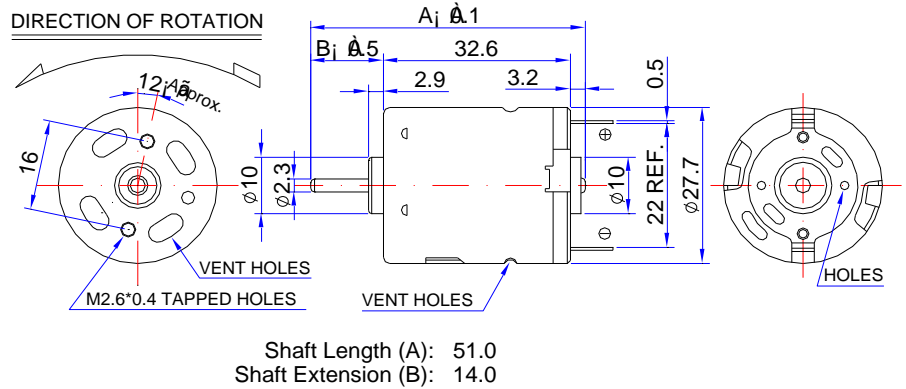




### Typical Application:

1. Precision Instruments:  
Automatic Vending Machine.
2. Household Appliances:  
Tooth Brushes, Hair  
Dryer, Massager
3. Office Automation  
Equipments: Electronic  
Typewriter

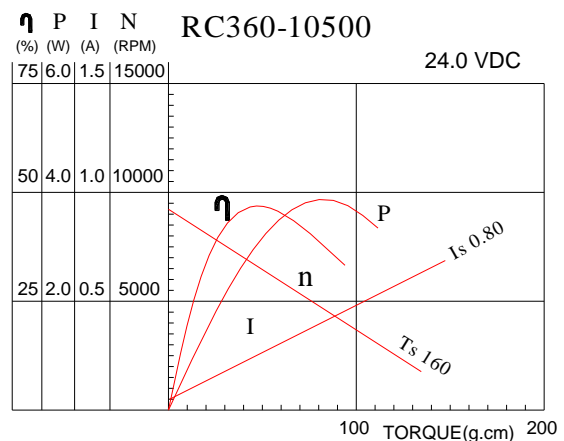
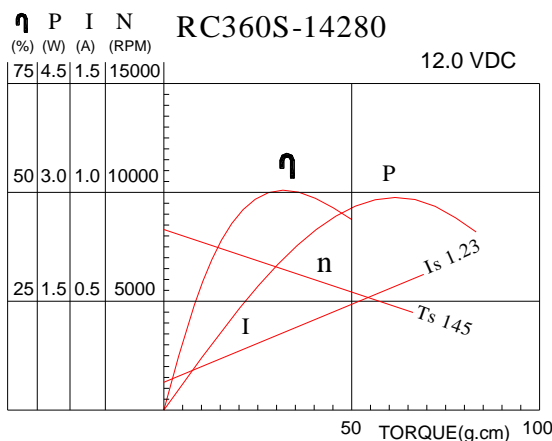


**Carbon Brush Motor. Weight: 50g (APPROX)**

### ELECTRICAL SPECIFICATION CHART: (The following specifications can be changed as customers' requirement)

Model	Voltage		At No Load		At Max Efficiency				Stall Torque G.CM	
	Workable Range	Nominal	Speed	Current	Speed	Current	Torque	Output		Eff.
			RPM	A	RPM	A	G.CM	W		%
RC360SP-10500	12.0~30.0	12.0V Constant	3,500	0.05	2,500	0.14	28.0	0.72	42.9	108
RC360SP-10340	12.0~30.0	24.0V Constant	9,984	0.12	8,200	0.15	42.0	3.53	59.0	235
RC360SP-12295	12.0~30.0	24.0V Constant	11,730	0.12	9,580	0.36	55.0	5.40	62.5	300
RC360SP-14280	8.0~30.0	12.0V Constant	6,300	0.09	5,000	0.34	42.0	2.15	52.7	214
RC360SP-2885	3.0~9.0	7.2V Constant	12,500	0.36	11,000	1.30	50.0	5.64	60.0	420

### CHARACTERISTIC CURVES:



Shenzhen Nostop Electric Co., Ltd

Building C#, Gangzhilong Science & Technology Industrial Park, Qinglong Road, Longhua Town,  
Shenzhen City, Guangdong Province, 518107 P.R.China

TEL: +86.755. 2983 4766, 2815 9775, 2815 9776 FAX: +86.755. 2967 4299

E-mail: [stony@nostop.cn](mailto:stony@nostop.cn)

URL: <http://www.nostopmotor.com>, <http://www.nostop.cn>