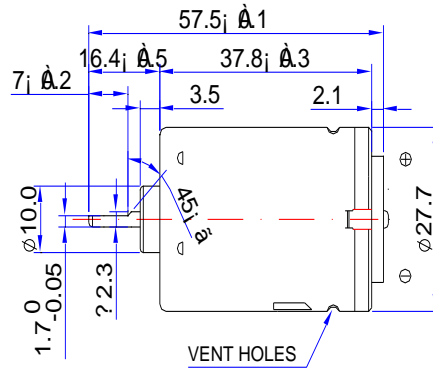
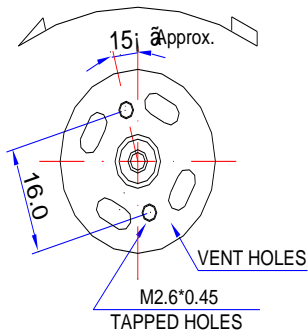
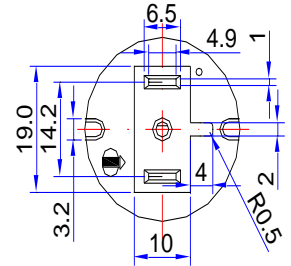




DIRECTION OF ROTATION



UNIT: MILLIMETER



### Typical Application:

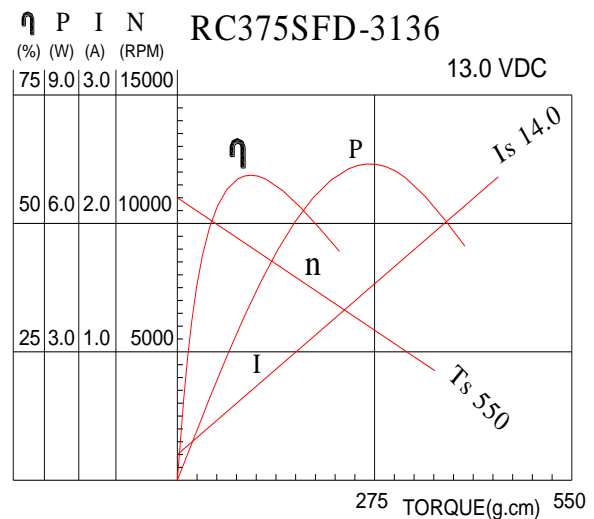
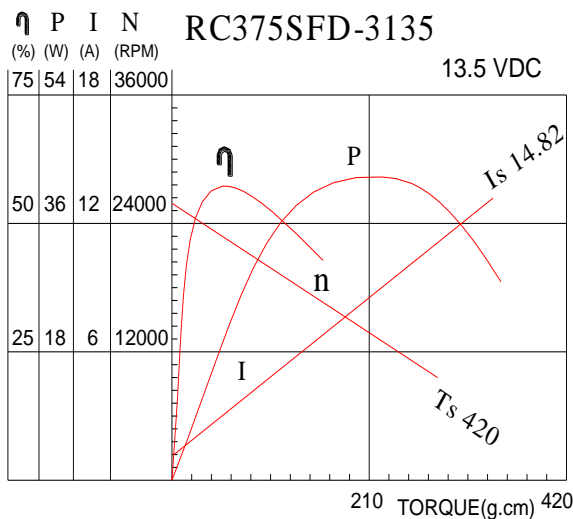
1. Household Appliances:
  - a) Corn Popper
  - b) Hairdryer
  - c) Massager
2. Automobile Antenna.

\* Carbon Brush Motor. \* Plastic Bottom Cap. Weight: 215g (APPROX)

### ELECTRICAL SPECIFICATION CHART: (The following specifications can be changed as customers' requirement)

Model	Voltage		At No Load		At Max Efficiency					Stall Torque G.CM
	Workable Range	Nominal	Speed	Current	Speed	Current	Torque	Output	Eff.	
			RPM	A	RRPM	A	G.CM	W	%	
RC375SFD-3132	12~18	13.0V Constant	29200	0.55	24500	2.86	80.0	20.1	54.1	500
RC375SFD-3133	12~18	13.0V Constant	28721	0.58	24415	3.00	85.0	21.28	54.6	567
RC375SFD-3135	12~18	13.5V Constant	27500	0.52	24173	2.32	75.0	16.60	59.4	620
RC375SFD-3136	12~18	13.0V Constant	28000	0.52	23928	2.40	80.0	19.60	62.8	550
RC375SFD-3137	12~18	13.0V Constant	26800	0.52	22580	2.64	85.0	19.70	57.4	540

### CHARACTERISTIC CURVES:



Shenzhen Nostop Electric Co., Ltd

Building C#, Gangzhihong Science & Technology Industrial Park, Qinglong Road, Longhua Town,  
Shenzhen City, Guangdong Province, 518107 P.R.China

TEL: +86.755. 2983 4766, 2815 9775, 2815 9776 FAX: +86.755. 2967 4299

E-mail: [stony@nostop.cn](mailto:stony@nostop.cn)

URL: <http://www.nostopmotor.com>, <http://www.nostop.cn>