



**Features:**

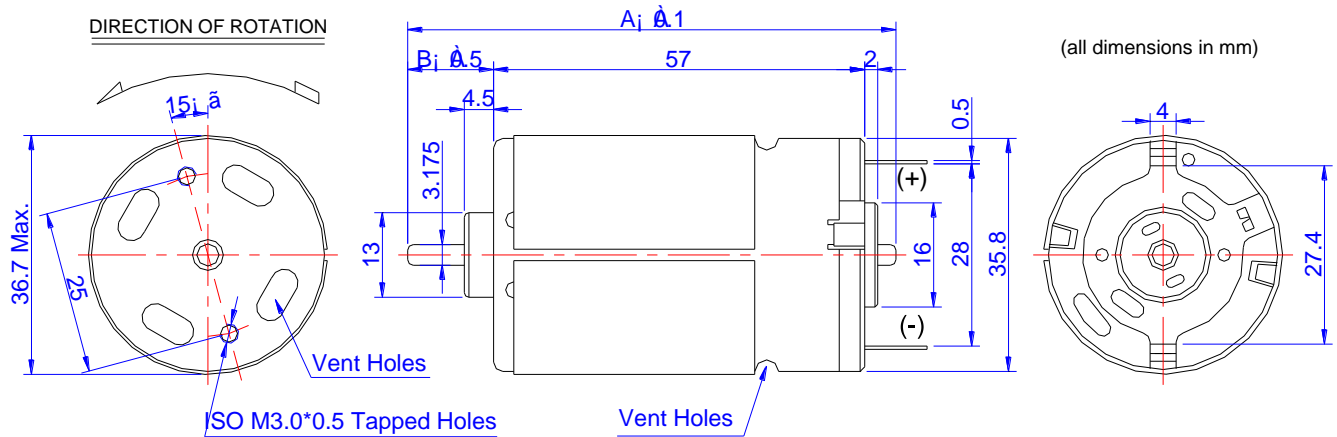
※ Carbon Brush Motor

**Weight:**

※ 215g (APPROX)

**Typical Application:**

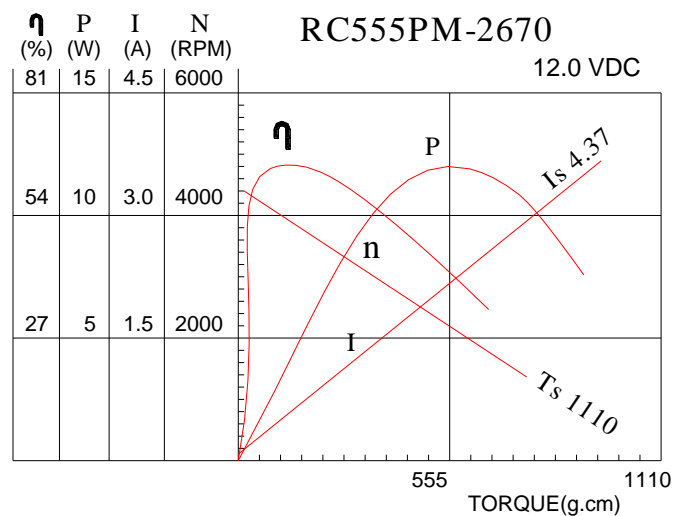
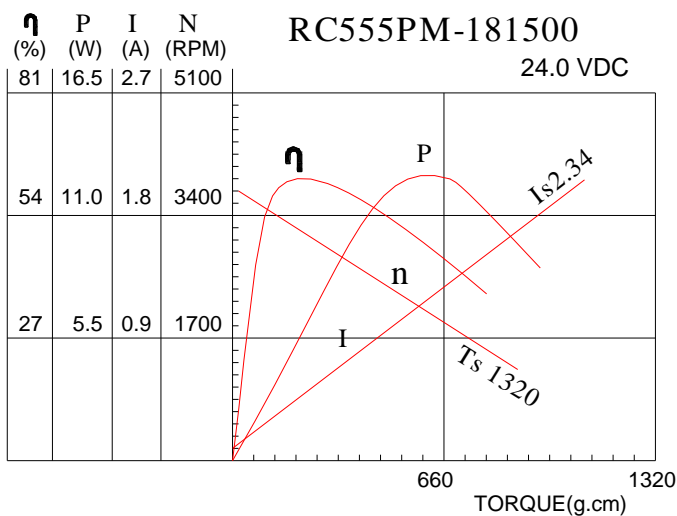
1. Automotive Products> Car Antenna.
2. Home Appliances> Printer /Computer Peripherals.
3. Toys and Models> Ride-on Toy.



**ELECTRICAL SPECIFICATION CHART:** (The specifications can be changed as customers' requirement)

Model	Voltage		At No Load		At Max Efficiency					Stall
	Workable Range	Nominal	Speed	Current	Speed	Current	Torque	Output	Eff.	Torque
			RPM	A	RPM	A	G.CM	W	%	G.CM
RC555PM-18150	15~30V	24V Constant	3840	0.08	3228	0.44	210	7.0	66.3	1320
RC555PM-21125	6~30V	24V Constant	4600	0.11	4044	0.49	200	8.3	70.6	1652
RC555PM-2670	3~12V	12V Constant	4500	0.19	3800	0.91	191	7.4	67.8	1110
RC555PM-3546	6~24V	24V Constant	6200	0.28	5240	1.62	240	12.9	66.2	1550
RC555PM-5027	12~20V	12V Constant	5880	1.00	4570	3.61	580	27.2	62.8	2600

**CHARACTERISTIC CURVES:**



**Nostop Motor Group**

Bldg C#, Gangzhilong Science & Tech. Indus. Park, Heping East Road, Longhua Town, Shenzhen City, Guangdong Province, 518107 P.R.China

URL: <http://www.nostopmotor.com>, <http://www.nostop.cn>

TEL: +86.755. 2983 4766, 2815 9775, 2815 9776

FAX: +86.755. 2967 4299 E-mail: [stony@nostop.cn](mailto:stony@nostop.cn), [graces@nostop.cn](mailto:graces@nostop.cn)