



Features:

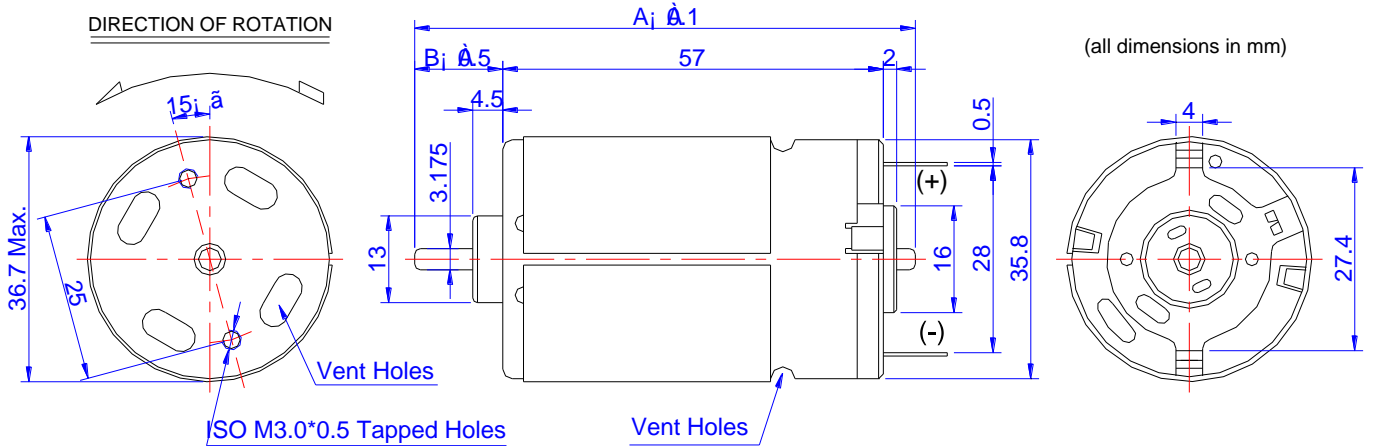
※ Carbon Brush Motor

Weight:

※ 215g (APPROX)

Typical Application:

1. Automotive Products> Door Closer
2. Home Appliances> Massager / Vibrator
3. Toys and Models> Ride-on Toy



ELECTRICAL SPECIFICATION CHART: (The specifications can be changed as customers' requirement)

Model	Voltage		At No Load		At Max Efficiency					Stall Torque G.CM
	Workable Range	Nominal	Speed RPM	Current A	Speed RPM	Current A	Torque G.CM	Output W	Eff. %	
RC555SP-18150	16~30V	24V Constant	4200	0.09	3490	0.44	191	6.8	64.0	1136
RC555SP-2670	9~30V	12V Constant	4500	0.19	3600	0.91	191	7.1	65.0	1110
		24V Constant	9100	0.21	7800	1.27	283	22.6	74.1	2000
RC555SP-3250	6~30V	24V Constant	12500	0.35	10880	2.35	354	39.5	70.0	2734
RC555SP-4525	4.5~18V	6V Constant	6030	0.55	5100	3.00	224	11.7	65.0	1450
		12V Constant	12400	0.66	10730	4.20	339	37.0	73.9	2510
RC555SP-5016	7.2~12V	12V Constant	20000	1.50	17800	7.20	320	58.4	67.6	2500

CHARACTERISTIC CURVES:

