

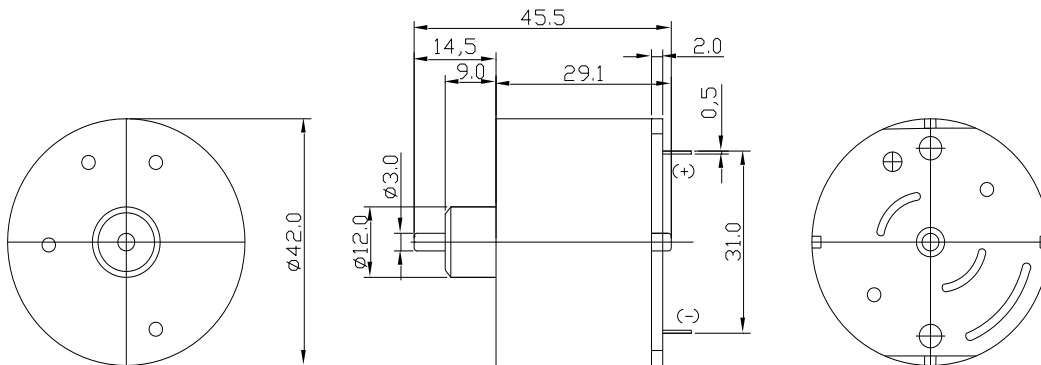


Features:
 * Carbon Brush Motor.

Weight:
 109g (APPROX)

Typical Application:

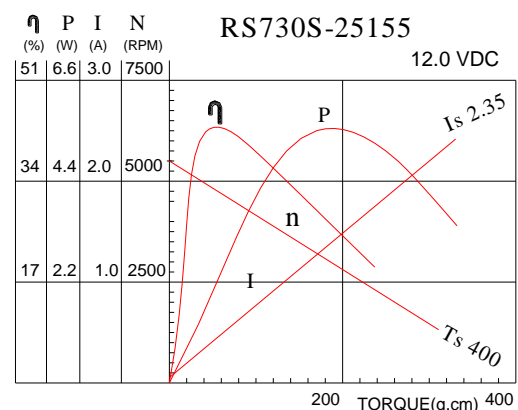
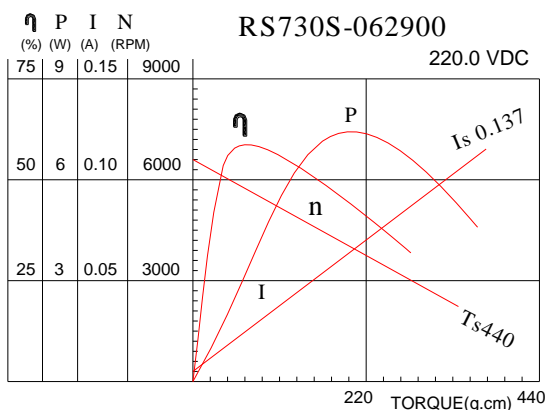
1. Precision Instruments: Automatic Vending Machines
2. Home Appliances



ELECTRICAL SPECIFICATION CHART: (The specifications can be changed as customers' requirement)

Model	Voltage		At No Load		At Max Efficiency					Stall Torque G.CM
	Workable Range	Nominal	Speed RPM	Current A	Speed RRPM	Current A	Torque G.CM	Output W	Eff. %	
RS730S-062900	100~240V	220V Constant	6940	0.008	5583	0.033	86.0	4.92	67.4	440
RS730S-25155	3.6~36.0V	12.0V Constant	5500	0.080	4734	0.480	55.7	2.70	46.9	400

CHARACTERISTIC CURVES:



Shenzhen Nostop Electric Co., Ltd

**Building C#, Gangzhilong Science & Technology Industrial Park, Qinglong Road, Longhua Town,
 Shenzhen City, Guangdong Province, 518107 P.R.China**

TEL: +86.755. 2983 4766, 2815 9775, 2815 9776 FAX: +86.755. 2967 4299

E-mail: stony@nostop.cn

URL: <http://www.nostopmotor.com>, <http://www.nostop.cn>