

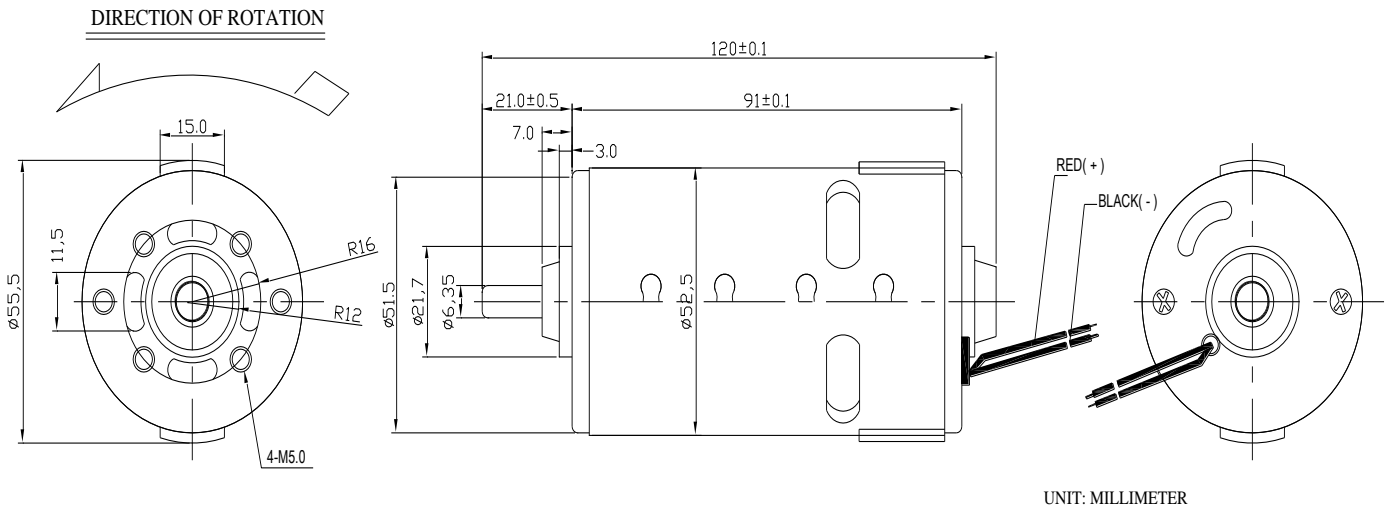


Features:
 * Carbon Brush Motor.

Weight:
 617g (APPROX)

Typical Application:

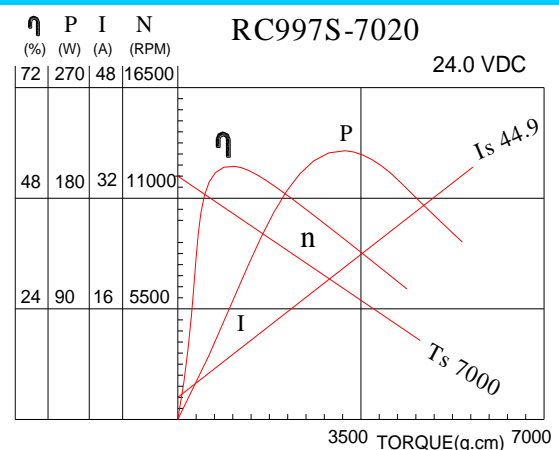
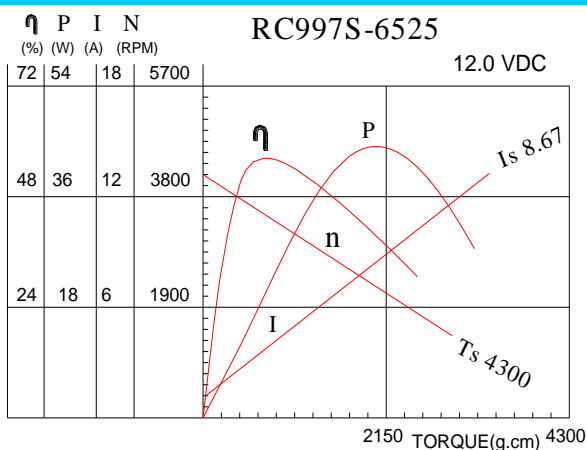
1. Automotive Products: Secondary Air Pump / Circulation Pump
2. Power Tools: Cordless Cutter / Compressor / String Trimmer / Drill



ELECTRICAL SPECIFICATION CHART: (The specifications can be changed as customers' requirement)

Model	Voltage		At No Load		At Max Efficiency					Stall Torque G.CM
	Workable Range	Nominal	Speed RPM	Current A	Speed RRPM	Current A	Torque G.CM	Output W	Eff. %	
RC997S-23110	12.0~30.0	24.0V Constant	2550	0.16	1980	0.58	500	9.9	71.1	2800
RC997S-25110	12.0~30.0	24.0V Constant	2000	0.25	1562	0.88	700	11.2	53.0	3200
RC997S-6525	12.0~30.0	12.0V Constant	4100	0.95	3318	3.98	820	27.9	58.4	4300
RC997S-7020	12.0~30.0	24.0V Constant	12000	1.50	10100	8.32	1100	114.2	57.2	7000

CHARACTERISTIC CURVES:



Shenzhen Nostop Electric Co., Ltd

Building C#, Gangzhihong Science & Technology Industrial Park, Qinglong Road, Longhua Town,
 Shenzhen City, Guangdong Province, 518107 P.R.China

TEL: +86.755. 2983 4766, 2815 9775, 2815 9776 FAX: +86.755. 2967 4299

E-mail: stony@nostop.cn

URL: <http://www.nostopmotor.com>, <http://www.nostop.cn>