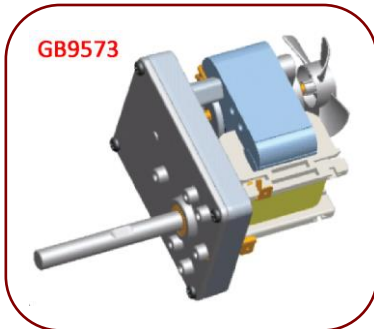
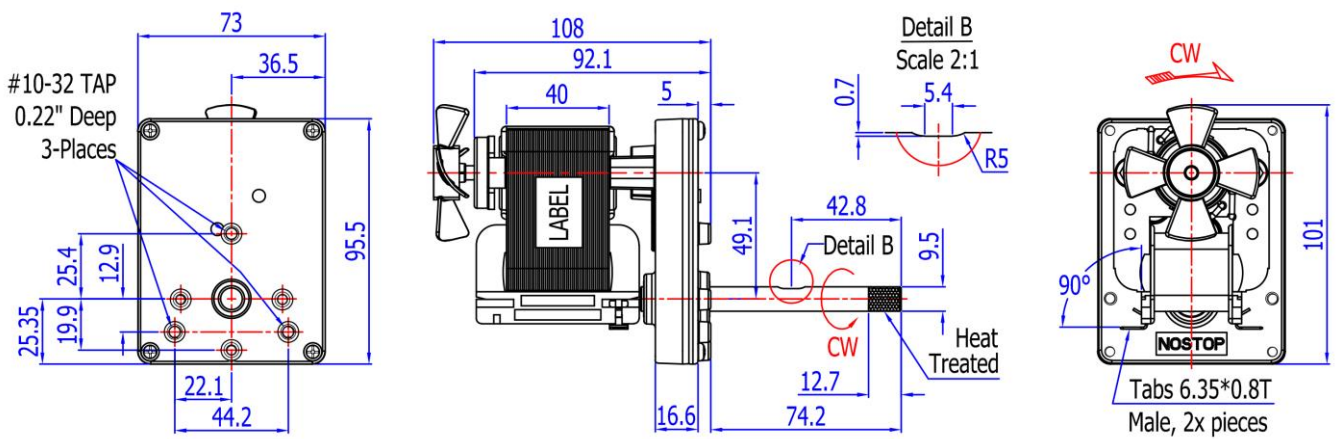


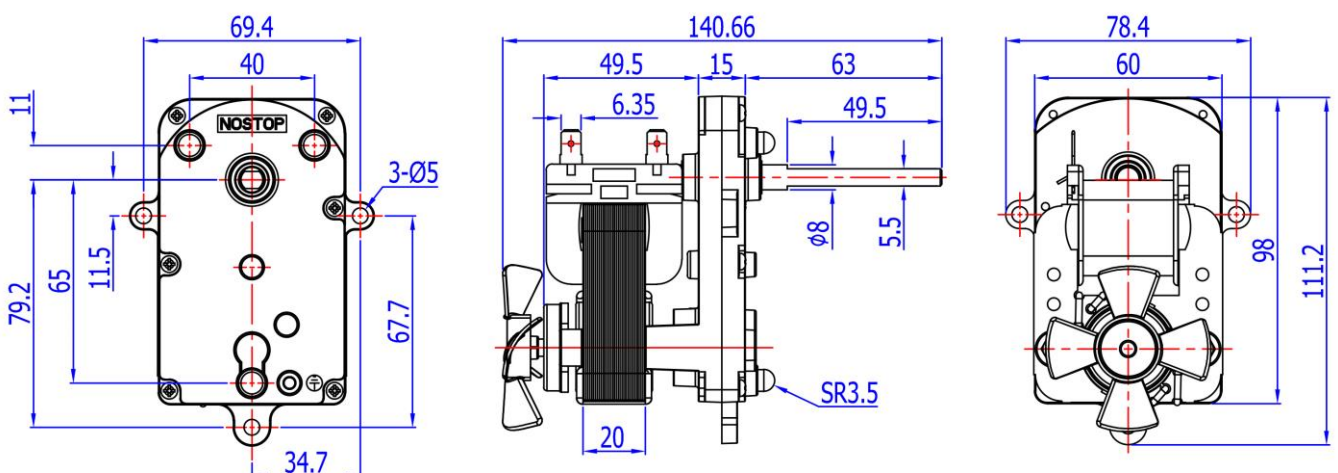
Beside the GB9760 gearbox, we have also developed 2 other types. Please see the detailed information as following:



GB9573 Outline Dimensions :



GB9860 Outline Dimensions :



Performances (tested under room temperature) :

| Motor Model | Gearbox Model | Reduction Ratio | Voltage | Freq'y | Power (in) | Speed | Torque | Gear Materials |
|--------------|---------------|-----------------|---------|--------|------------|-------|---------|-----------------------|
| | | | (VAC) | (Hz) | (Watts) | (rpm) | (Kg.cm) | |
| NSP6340V115B | GB9573 | 1 : 75 | 115 | 60 | 60 | 50 | 23 | Sintered Powder Metal |
| NSP6320V230A | GB9860 | 1 : 55 | 230 | 50 | 20 | 56 | 11 | Sintered Powder Metal |

Remarks:

This catalog listed just some typical models of some typical reduction ratios. The performances can be adjusted according to needs. OEM & ODM are both welcome.