

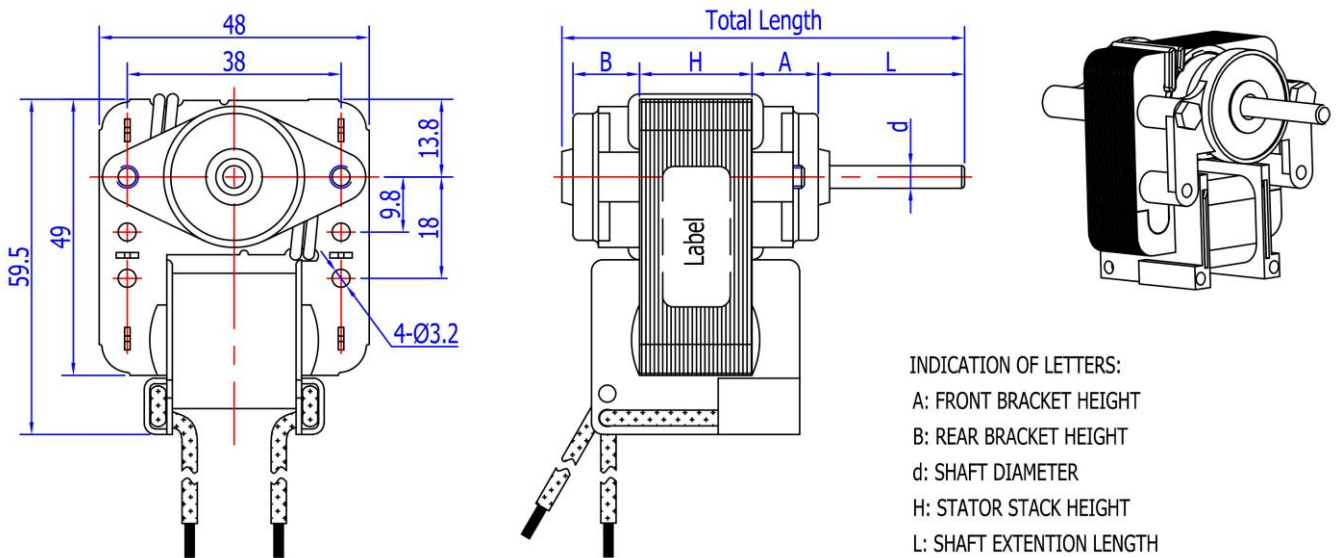
Brief Introduction :

1. The rated voltage and the frequency can be any as needed.
2. The shaft diameter (d) can be: $\varnothing 4\text{mm}$ or $\varnothing 4.5\text{mm}$, with D-cuts, threads, etc., and the shaft length (L) can be any as needed.
3. The stator thickness (H) can be any from 8mm to 30mm.
4. The bearing brackets can be made by either steel or zinc-aluminum alloy.
5. The bearing can be either sleeve bearings or ball bearings as needed.
6. The rotation of the motor can be either in CW or in CCW as needed.
7. RoHS compliant is available.
8. Lead out by terminals is also available

Typical Application :

Air-conditioner, Air-purifier, Air Pump, Water Pump, Fan Heater, Humidifier, Ventilator, etc

Outline Dimensions (All dimensions in millimeter) :



Remarks: only the dimensions marked in letters are changeable as needed. Other dimensions are fixed.

Technical Performances (tested under room temperature) :

Specs Model	Stack Height (H) (mm)	Rated Supply		No Load			At Max. Efficiency.				Start	Max.
		Volt. (VAC)	Freq. (Hz)	Current (Amp)	Speed (rpm)	Power (Watts)	Current (Amp)	Speed (rpm)	Power (Watts)	Torque (mNm)	Torque (mNm)	Torque (mNm)
NSP4808	8	220	50	0.085	2650	8.2	0.092	2150	10.2	4.9	3.90	5.90
NSP4810	10	220	50	0.085	2800	6.5	0.100	2100	7.5	2.5	1.80	2.74
		230	50	0.088	2650	9.3	0.089	2100	10.8	4.5	3.73	6.37
NSP4812	12	220	50	0.090	2820	9.0	0.110	2150	10.0	2.9	2.45	3.43
		120	60	0.149	3400	7.5	0.160	2550	9.3	4.9	4.41	7.65
NSP4814	14	220	50	0.105	2830	11.0	0.120	2200	13.0	4.4	2.94	4.41
NSP4816	16	220	50	0.120	2850	13.5	0.135	2250	15.5	5.4	3.43	5.39
NSP4820	20	220	50	0.135	2850	15.0	0.145	2400	19.0	6.9	4.41	6.86
		120	60	0.355	3450	17.5	0.398	2800	24.0	13.2	9.31	15.69
NSP4825	25	230	50	0.170	2880	16.8	0.181	2450	21.5	13.7	12.26	17.65

Remarks: This catalog listed just some typical models. The performances as above are just for reference only. We can adjust our motor specifications according to what the customer needs. OEM & ODM are both welcome.