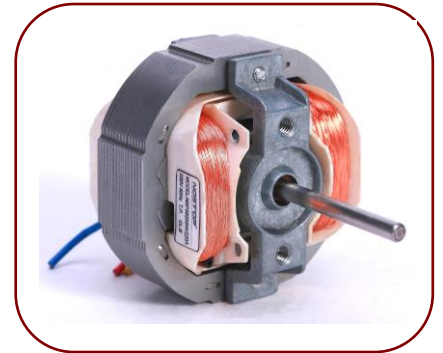


Brief Introduction :

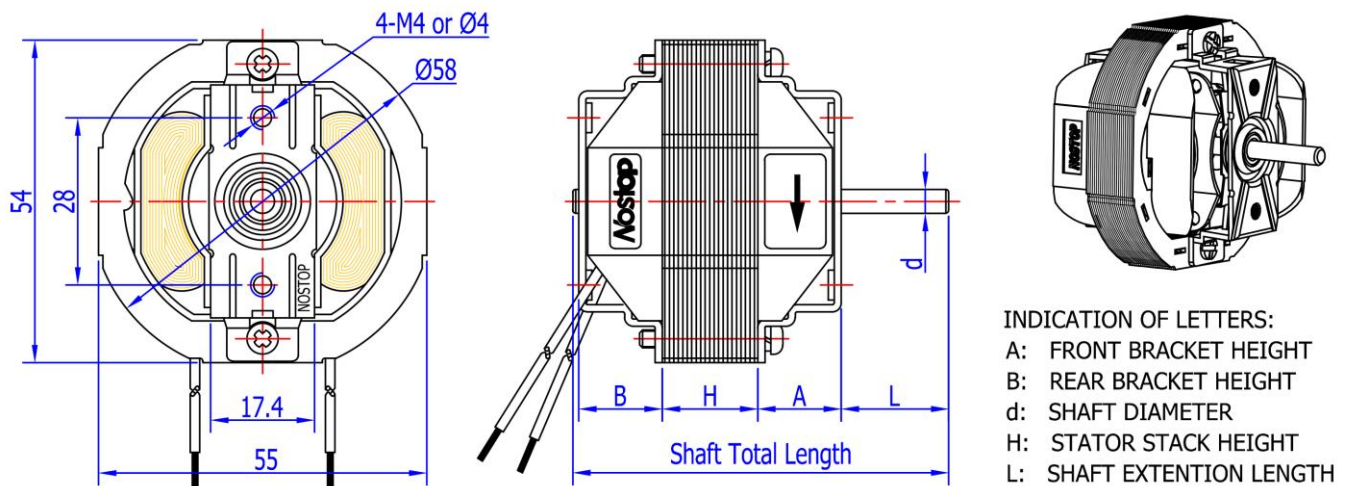
1. The rated voltage and the frequency can be any as needed.
2. The shaft diameter (d) can be: $\varnothing 4\text{mm}$ or $\varnothing 5\text{mm}$, with D-cuts, threads, etc., and the shaft length (L) can be any as needed.
3. The stator thickness (H) can be any from 10mm to 40mm.
4. The bearing brackets can be made by either steel or zinc-aluminum alloy.
5. The bearing can be either sleeve bearings or ball bearings as needed.
6. The rotation of the motor can be either in CW or in CCW as needed.
7. RoHS compliant is available.
8. Lead out by terminals is also available



Typical Application :

Toilet ventilator, room heater, humidifier, air cleaner, personal fan, foot massager, etc.

Outline Dimensions (All dimensions in millimeter) :



Remarks: only the dimensions marked in letters are changeable as needed. Other dimensions are fixed.

Technical Performances (tested under room temperature) :

| Specs | Stack Height (H) (mm) | Rated Supply | | No Load | | | At Max. Efficiency. | | | | At Stall | |
|-------------------------|-----------------------------|----------------|---------------|------------------|----------------|------------------|---------------------|----------------|------------------|-----------------|------------------|------------------|
| | | Volt. (VAC) | Freq. (Hz) | Current (Amp) | Speed (rpm) | Power (Watts) | Current (Amp) | Speed (rpm) | Power (Watts) | Torque (mNm) | Current (Amp) | Power (Watts) |
| NSP5812 | 12 | 220 | 50 | 0.090 | 2600 | 14.6 | 0.094 | 1850 | 15.8 | 6.1 | 0.096 | 16.8 |
| | | 120 | 60 | 0.180 | 3300 | 17.5 | 0.210 | 2120 | 17.5 | 7.8 | 0.256 | 27.5 |
| NSP5816 | 16 | 220 | 50 | 0.096 | 2700 | 13.0 | 0.109 | 2300 | 15.6 | 12.0 | 0.130 | 20.5 |
| | | 120 | 60 | 0.325 | 3400 | 22.3 | 0.272 | 2650 | 22.3 | 9.8 | 0.314 | 34.5 |
| NSP5816-2 (2 speeds) | 16 | 220 | 50 | 0.110 | 2700 | 15.5 | 0.156 | 2180 | 25.1 | 12.2 | 0.185 | 28.0 |
| | | | | 0.087 | 2750 | 12.0 | 0.095 | 2050 | 14.8 | 7.8 | 0.135 | 23.0 |
| NSP5820 | 20 | 220 | 50 | 0.135 | 2800 | 16.8 | 0.145 | 2500 | 20.0 | 9.2 | 0.180 | 28.5 |
| NSP5820-2 (2 speeds) | 20 | 220 | 50 | 0.125 | 2800 | 15.5 | 0.147 | 2550 | 19.0 | 11.2 | 0.190 | 27.5 |
| | | | | 0.197 | 2850 | 12.5 | 0.115 | 2500 | 15.7 | 6.3 | 0.190 | 18.5 |
| NSP5825 | 25 | 220 | 50 | 0.145 | 2850 | 18.4 | 0.162 | 2380 | 23.5 | 14.1 | 0.210 | 26.5 |
| NSP5830 | 30 | 220 | 50 | 0.135 | 2890 | 16.5 | 0.166 | 2390 | 22.8 | 16.8 | 0.198 | 25.6 |
| NSP5835 | 35 | 230 | 50 | 0.155 | 2860 | 19.2 | 0.183 | 2250 | 26.2 | 19.5 | 0.223 | 29.8 |

Remarks: This catalog listed just some typical models. The performances as above are just for reference only. We can adjust our motor specifications according to what the customer needs. OEM & ODM are both welcome.